

LEGEND

THE LIGHT FITTING SUPPLIER CONTACT DETAILS MAY BE AVAILABLE ON THE EDG WEBSITE VIA THE FOLLOWING LINK www.edg.net.au/Links/Lighting.htm

TYPE	LAMPS	DESCRIPTION	COLOUR / ACCESSORY	CATALOGUE No
L1	8W 3000K LED	RECESSED DOWNLIGHT C/W REMOTE DRIVER	BLACK	GAMMA ILLUMINATION RHO 1001-3K-8W
L2	12W/M 3000K LED	FLEXIBLE LED ROPE FLEX SCREW FIXED RECESSED IN PLACE IN THE CEILING PELMET AS PER THE ARCHITECTURAL DETAIL PROVIDE THE L2 STRIP WITH A COMMON REMOTE 240-24V POWER SUPPLY PER GROUP NOT EXCEEDING 10M OF STRIP	BLACK	NPA L-NF-GLOW-WW + POWER SUPPLY
L3	WARM WHITE LED	HORIZONTAL LED STRIP WITHIN AN FLUSH RECESSED ALUMINIUM EXTRUSION MOUNTED WITHIN THE REAR BAR JOINERY AS PER THE ARCHITECTURAL DETAIL PROVIDE THE STRIP WITH A REMOTE DEDICATED 240-12V POWER SUPPLY	NATURAL	NEON PRODUCTS AUSTRALIA LF-DFB-WW-300-12 + PR-LIN172153-F
L4	WARM WHITE LED	FLEXIBLE LED ROPE FLEX SCREW FIXED IN PLACE WITHIN THE BAR COUNTER PELMET AS PER THE ARCHITECTURAL DETAIL PROVIDE THE STRIP WITH A REMOTE DEDICATED 240-12V POWER SUPPLY	NATURAL	NEON PRODUCTS AUSTRALIA NPA L-NF-GLOW-WW
PL1	15 No 3W WARM WHITE 2.5W 240VOLT G9 LED	DECORATIVE PENDANT LIGHT SUSPENDED AS DIRECTED BY THE ARCHITECT ON SITE	BRASS/AMBER	BEACON LIGHTING ORION 15 LIGHT PENDANT
PL2	WARM WHITE 4W FANCY ROUND 240VOLT FILAMENT CLEAR LED	DECORATIVE REAR BAR GLASS PENDANT TO BE CENTRED BETWEEN THE VERTICAL BLADES SUSPENDED AS PER THE ARCHITECTURAL DETAIL.	CHROME	IVORY AND DEENE PH: 1300 731 506 WINE DECANTER GLASS PENDANT LIGHT - BRANDY
PL3	WARM WHITE 4W FANCY ROUND 240VOLT FILAMENT CLEAR LED	DECORATIVE REAR BAR GLASS PENDANT TO BE CENTRED BETWEEN THE VERTICAL BLADES SUSPENDED AS PER THE ARCHITECTURAL DETAIL.	CHROME	IVORY AND DEENE PH: 1300 731 506 WINE DECANTER GLASS PENDANT LIGHT - WHISKEY
PL4	WARM WHITE 4W FANCY ROUND 240VOLT FILAMENT CLEAR LED	DECORATIVE REAR BAR GLASS PENDANT TO BE CENTRED BETWEEN THE VERTICAL BLADES SUSPENDED AS PER THE ARCHITECTURAL DETAIL.	CHROME	IVORY AND DEENE PH: 1300 731 506 WINE DECANTER GLASS PENDANT LIGHT - SHERRY
E1	LED	EMERGENCY LIGHT. RECESSED NON-MAINTAINED EMERGENCY LIGHT. AS2293 CLASSIFICATION C0-D63 - C90-D63.	BLACK	CLEVERTRONICS LLIFE BLACK
EX	LED	EXIT LIGHT. MAINTAINED 24M VIEWING DISTANCE EXIT LIGHT C/W DIFFUSERS & DIRECTIONAL ARROWS AS SHOWN. CEILING SURFACE MOUNT OR WALL MOUNT BETWEEN 2100mm & 2700mm AFFL IF THERE IS NO VERTICAL SURFACE TO MOUNT THE FITTING ON WITHIN THIS RANGE CONFIRM THE MOUNTING HEIGHT WITH THE ENGINEER. AS2293 CLASSIFICATION C0-D1.25- C90-D2	BLACK	CLEVERTRONICS LUBPRO-SM BLACK
ONE-WAY LIGHT SWITCH		ONE-WAY LIGHT SWITCH C/W CIRCUIT IDENTIFICATION ON THE FACEPLATE BEHIND THE SURROUND MOUNTED AT 1000mm AFFL UNLESS NOTED OTHERWISE.	BLACK	CLIPSAL C2000 SERIES 30USM
SINGLE POWER OUTLET		SINGLE POWER OUTLET C/W CIRCUIT IDENTIFICATION ON THE FACEPLATE BEHIND THE SURROUND MOUNT AT 300mm AFFL U.N.O. RATING 10A U.N.O.	BLACK	CLIPSAL C2000 SERIES
DOUBLE POWER OUTLET		DOUBLE POWER OUTLET C/W CIRCUIT IDENTIFICATION ON THE FACEPLATE BEHIND THE SURROUND MOUNT AT 300mm AFFL U.N.O. RATING 10A U.N.O.	BLACK	CLIPSAL C2000 SERIES
SINGLE-PHASE ISOLATOR		SINGLE-PHASE WEATHERPROOF ISOLATOR. MOUNT AT 1350mm AFFL U.N.O. RATING 20A U.N.O. CONNECT TO EQUIPMENT VIA FLEXIBLE CONDUIT.	-	CLIPSAL WHT20
THREE-PHASE ISOLATOR		THREE-PHASE WEATHERPROOF ISOLATOR. MOUNT AT 1350mm AFFL U.N.O. RATING 20A U.N.O. CONNECT TO EQUIPMENT VIA FLEXIBLE CONDUIT.	-	CLIPSAL WHT35
DB-A		EXISTING DISTRIBUTION BOARD DB-A TO BE UPGRADED AS PER THE DB-A SCHEDULE.		
COMMUNICATIONS RACK (CR-A)		GAMING FREE STANDING 42 RU MINIMUM 600 DEEP 600 WIDE COMMUNICATIONS RACK CR-A PROVIDE A SHOP DRAWING OF THE RACK INCLUDING THE ARRANGEMENT OF EQUIPMENT PROVIDED WITHIN IT AS PART OF THE CONTRACT FOR APPROVAL. PROVIDE THE RACK WITH THE REQUIRED CAT 6 PATCH PANELS, CABLE MANAGEMENT AS PER THE SPECIFICATION. PROVIDE THE RACK WITH CASTERS. PROVIDE FOUR CAT 6 LINK CABLES FULLY TERMINATED ONTO A DEDICATED PATCH PANEL IN CR-A TO THE HOTELS EXISTING CENTRAL COMMUNICATIONS RACK.		4 CABLEING SKU 002.001.4280
COMMUNICATIONS OUTLET		RJ45 CAT-6 COMMUNICATIONS OUTLET, CABLED BACK TO CAT 6 PATCH PANELS IN RACK CR-A VIA 4-PAIR CAT-6 UTP CABLE. MOUNT UP TO 3 RJ45 OUTLETS PER MULTI-GANG FACEPLATE WITH SEPARATE PERMANENT LABELLING FOR EACH OUTLET. MOUNT AT 300 AFFL UNLESS NOTED OTHERWISE	BLACK	CLIPSAL C2000 SERIES
CAT 6 GAMING OUTLET		RJ45 CAT-6 COMMUNICATIONS OUTLET, CABLED BACK TO CAT 6 DEDICATED GAMING PATCH PANELS IN RACK CR-A VIA 4-PAIR CAT-6 UTP CABLE. MOUNT UP TO 3 RJ45 OUTLETS PER MULTI-GANG FACEPLATE WITH SEPARATE PERMANENT LABELLING FOR EACH OUTLET. MOUNT AT 300 AFFL UNLESS NOTED OTHERWISE	BLACK	CLIPSAL C2000 SERIES
GAMING FIBRE (GF)		INSTALL DUPLEX FIBRE OPTIC CABLE BETWEEN THE POKER MACHINE BASES AND FROM THE POKER MACHINE BASES BACK TO RACK CR-A AS INDICATED. THE DUPLEX FIBRE OPTIC CABLE WILL BE SUPPLIED AND TERMINATED BY OTHERS.		
FIRE EVACUATION SPEAKER		RECESSED 5W TWO-TONE 8-INCH CONE ALERT AND EVACUATION SPEAKER TO AS1670.1 C/W 100V MULTI-TAP TRANSFORMER AND FLUSH GRILLE PAINTED OUT TO MATCH THE CEILING.		

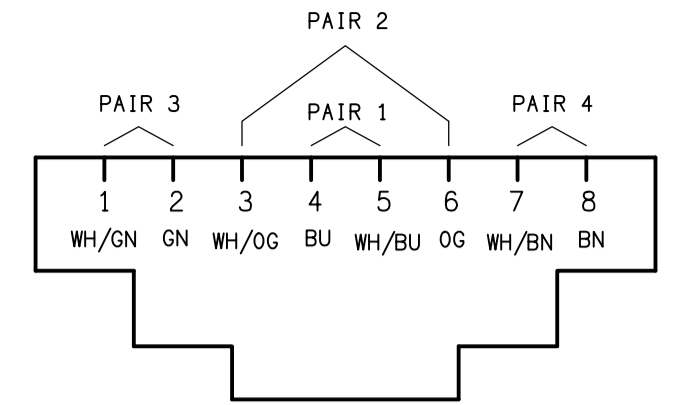
DISTRIBUTION BOARD DB-A SCHEDULE

UPGRADE THE EXISTING DISTRIBUTION TO ACCOMMODATE THE FOLLOWING CIRCUITS. REMOVE ALL EXISTING CIRCUITS AND SWITCHGEAR THAT BECOMES REDUNDANT. UPDATE THE LABELLING AND SCHEDULE.

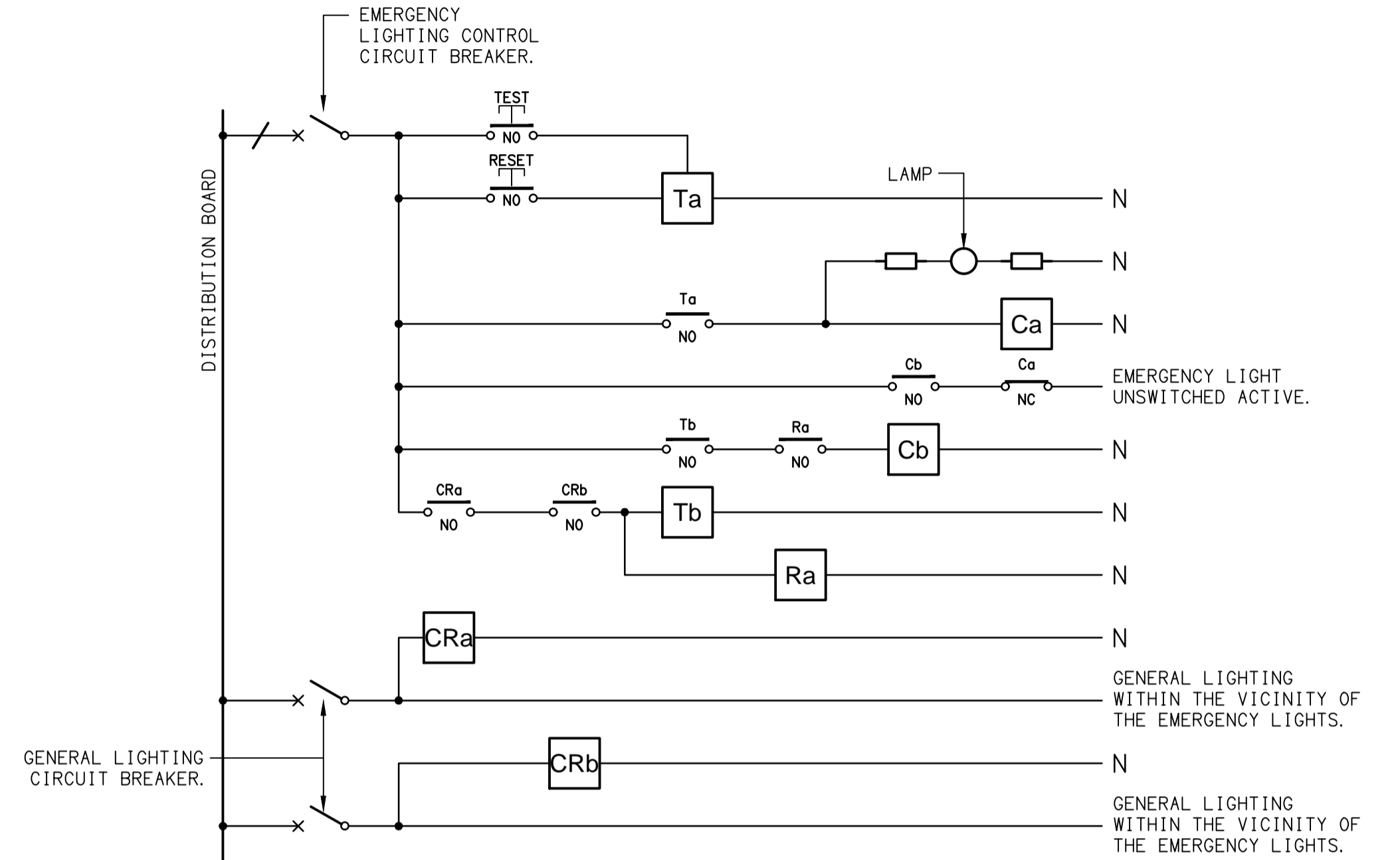
CIRC	PH	CIRCUIT	CONTROL	CABLE	LOCATION	CIRCUIT
		BREAKER (amps)	EQUIPMENT	SIZE (mm2)		USE
P1	1	20	RCBO	2.5	GAMING	MODEM
P2	1	20	RCBO	2.5	GAMING	SIGNS
P3	1	20	RCBO	2.5	GAMING	GAMING
P4	1	20	RCBO	2.5	GAMING	GAMING
P5	1	20	RCBO	2.5	GAMING	GAMING
P6	1	20	RCBO	2.5	OFFICE	GAMING
P7	1	20	RCBO	2.5	GAMING	GAMING
P8	1	20	RCBO	2.5	GAMING	CLEANING
P9	1	20	RCBO	2.5	GAMING	CRM
P10	1	20	RCBO	2.5	BAR	GPOs
P11	3	32	RCBO	6	REAR SERVICE	AC
P12	1	20	RCBO	2.5	REAR SERVICE	COMMS RACK CR-A
P13	1	20	RCBO	2.5	REAR SERVICE	COMMS RACK CR-A
P14	1	20	RCBO	2.5	BAR	REFRIGERATOR
P15	1	20	RCBO	2.5	BAR	POINT OF SALE
L1	1	20	RCBO	2.5	GAMING	LIGHTS

EQUIPMENT:

- TEST - TEST PUSH BUTTON MOUNTED ON THE DISTRIBUTION BOARD ESCUTCHEON.
- RESET - RESET PUSH BUTTON MOUNTED ON THE DISTRIBUTION BOARD ESCUTCHEON.
- LAMP - AMBER TEST INDICATING LAMP MOUNTED ON THE DISTRIBUTION BOARD ESCUTCHEON.
- Ta - ADJUSTABLE 0-3 HOUR TIMED RELAY.
- Tb - 15 MINUTE RUN-ON TIMER TO OPERATE UPON THE RETURN OF MAINS POWER.
- Cx - CONTACTOR x.
- CRx - CONTROL RELAY x.
- Rx - RELAY x.



SCHEMATIC
RJ45 PINOUT CONFIGURATION
NOT TO SCALE



NOTES

- THE EMERGENCY LIGHT UNSWITCHED ACTIVE / GENERAL LIGHTING SWITCHED ACTIVE CIRCUIT ARRANGEMENT AND CONTROL IS TYPICAL FOR ALL CIRCUITS SUPPLYING EMERGENCY LIGHTS.
- PROVIDE ADDITIONAL CONTROL RELAYS (CRx) CONFIGURED AS PER CRa AND CRb FOR ALL ADDITIONAL LIGHTING CIRCUITS THAT SUPPLY LIGHTS IN THE VICINITY OF THE EMERGENCY LIGHTS.

SCHEMATIC

EMERGENCY LIGHTING
NOT TO SCALE